

(1) SMR Code	(2) Federal Stock Number	(3) Description	(4) Unit of Meas.	(5) Qty	(6) 15-day Maintenance In	(7) Organizational allowance Illustration	(a) Figure No.	(b) Item No.
		Reference number & mfg. code	Usable on code	(a)	(b)	(c)	(d)	
		1202-SERVICE BRAKES-CONTINUED CONSISTING OF:-CONTINUED						
		1-WASHER, LOCK MS35333-42(96906)					105	18
		1204-HYDRAULIC BRAKE SYSTEM						
PAOZZ	4730-516-7419	BOLT, FLUID PASSAGE: MULTIPLE CONNECTOR 5167419(19207)	A	EA	6	* * * *	106	1
PAOZZ	5310-209-1761	WASHER, FLAT: MULTIPLE CONNECTOR A215674(19207)	A	EA	6	* * * *	106	2
PAOZZ	4730-528-2743	CONNECTOR, MULTIPLE: FLUID PRESSURE LINE 5282743(19207)	A	EA	6	* * * *	106	3
PAOZZ	5310-275-6635	WASHER, FLAT: COPPER 1/2 I.D., 13/16 O.D. 5214539(19207)	A	EA	6	* * * *	106	4
PAOZZ	2530-278-6555	VALVE, BLEEDER: BACKING PLATE 7411071(19207)	A	EA	6	* * * *	106	5
PAOZZ	2530-421-9687	CYLINDER ASSEMBLY, WHEEL: FRONT 8758255(19207)	A	EA	2	* * * *	106	6
PAOZZ	2530-920-7568	CYLINDER ASSEMBLY, WHEEL: REAR 8758259(19207)	A	EA	4	* * * *	106	6
PAOFF	2530-741-1070	CYLINDER ASSEMBLY, MASTER: 7411070(19207)	A	EA	1	* * * *	107	1
PAOZZ	5310-361-7052	WASHER, FLAT: OUTLET PLUG 5156636(19207)	A	EA	1	* * * *	107	2
PAOZZ	5365-289-4926	PLUG, OUTLET: 5215672(19207)	A	EA	1	* * * *	107	3
PAOZZ	2530-274-4510	SCREW, MACHINE: BLEEDER 7409322(19207)	A	EA	1	* * * *	107	4
PAOZZ	2530-741-1069	CAP, FILLER 7411069(19207)	A	EA	1	* * * *	107	5
PAOZZ	2530-740-9316	GASKET: 7409316(19207)	A	EA	1	* * * *	107	6
PAOZZ	2530-740-9313	BOOT, DUST AND MOISTURE: 7409313(19207)	A	EA	1	* * * *	107	7
PAOZZ	5305-269-2807	SCREW, CAP, HEXAGON HEAD: MASTER CYLINDER MOUNTING MS90726-64 (96906)	A	EA	4	* * * *	107	8
PAOZZ	5310-982-4908	NUT, SELF-LOCKING: MASTER CYLINDER MOUNTING MS51922-21(96906)	A	EA	1	* * * *	107	9
PAOZZ	4730-421-9087	PLUG, PIPE: MACHINE THREAD MS49005-2(96906)	A	EA	1	* * * *	107	10

TA 009268

Current part is item (7) on diagram. Available at [www.oshkoshequip.com](http://www.oshkoshequip.com)

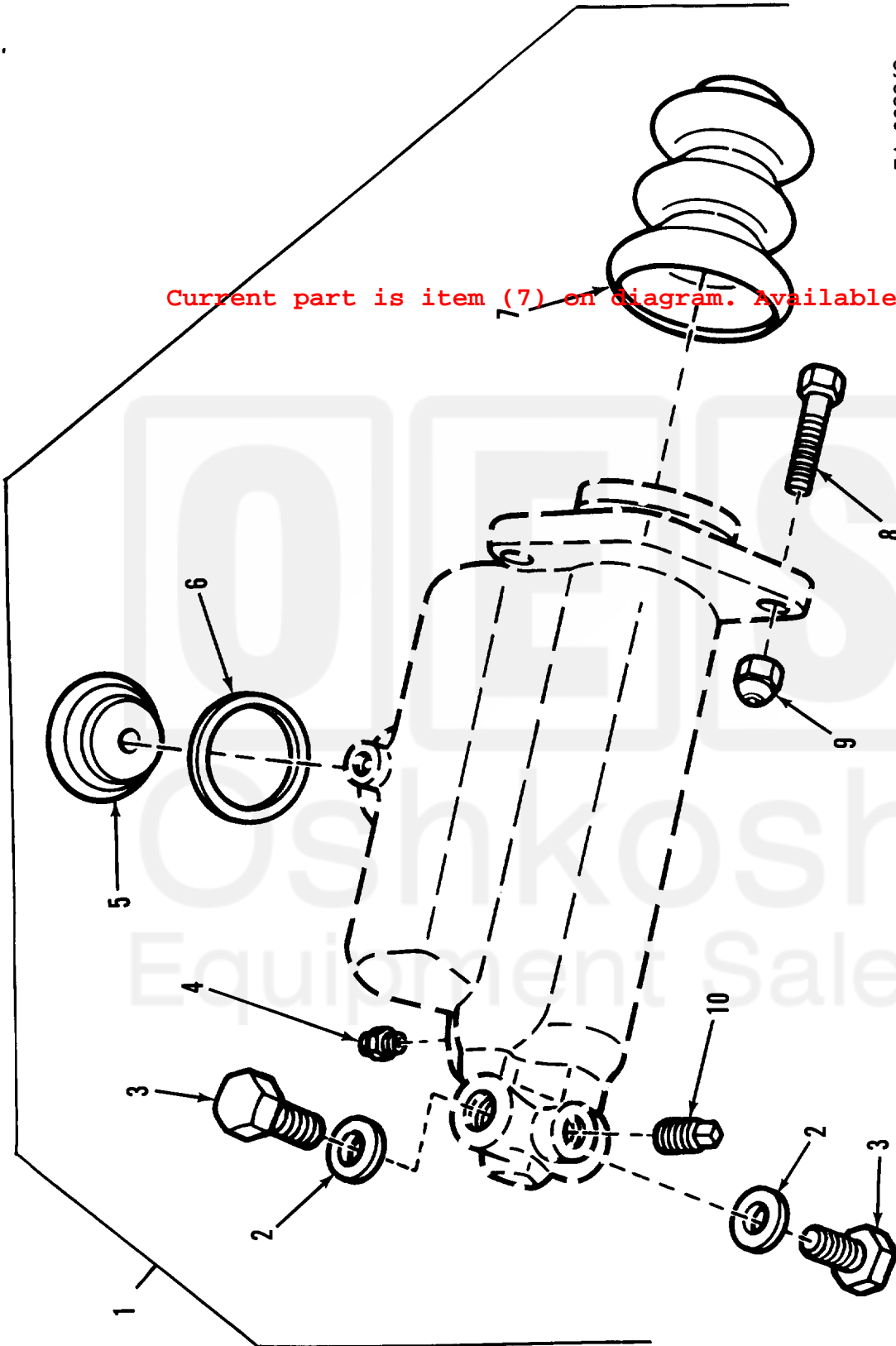


Figure 107. Master cylinder assembly.

Current part is item (7) on diagram. Available at [www.oshkoshequip.com](http://www.oshkoshequip.com)